

# Radio remote control Wireless - 2 functions

We are glad to introduce you two new wireless radio remote controls to manage up to 2 functions. Radio-frequency, coded, multichannel radio reception-transmitter unit operating in the 2400 MHz ISM band, consisting of a battery-powered remote control and a fixed unit for installations in the automotive field. It can manage up to 2 functions and it is available with or without emergency buttons.



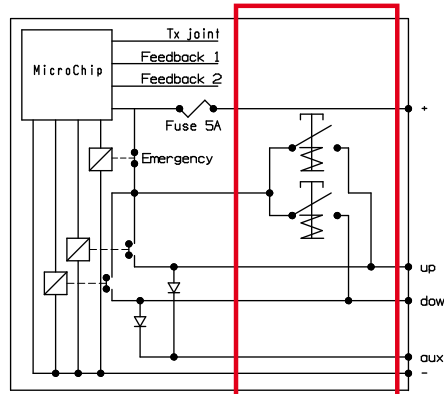
**10105080125** (without emergency buttons)



**10105080170** (with emergency buttons)

VOLTAGE SUPPLY	min 9 V, max 28 V
MAXIMUM CURRENT CONSUMPTION	370 mA a 10 V 563 mA a 28 V
MAX SWITCHING CURRENT	8 A
OPERATING FREQUENCY	2.4 GHz
RF SENSITIVITY	- 93 dBm
BAND	2400 ÷ 2483 MHz
ANTENNA RF EMISSIONS	- 65 dBm
IP PROTECTION (EN 60529)	The box and buttons guarantee IP65 protection of the casing. The cabling is excluded.
OUTPUTS	N° 2 Relè
CONTACT CAPACITY	max 8 A
OPERATING TEMPERATURE	- 30 / + 80 °C

Version only:  
10105080170



- GFSK modulation
- ERP RF power 1 - 3 mW
- 2 x 1.5V AAA LR03 batteries
- Receiver sensitivity - 93 dBm
- Current consumption 21 mA

WL radio remote controls meets the rules set forth in the following harmonised technical standards: 2014/53/EU Regulation concerning the unification of member countries' legislation regarding the presence of radio devices on market and revoking the regulation 1999/05/CE.

For any further information, please contact our sales department or visit our website [www.omfb.com](http://www.omfb.com).